

urban**woodcraft**

Barn Door
Installation Guide

(v. 0.4.092517)

www.urbanwoodcraft.com
toll free: 1.855.738.1378

Requirements

- Minimum floor to ceiling height required to install this door is 91 inches
- The mounting location must be supported by wooden studs (not metal)
- Check with local building codes if applicable before proceeding with installation
- For optimum results, seek a licensed professional to conduct the installation

This instruction manual can be used for the following models:

1. 500.40BD.BB.W / 500.40BD.BB.G
2. 500.40BD.ZP.W / 500.40BD.ZP.G
3. 500.40BD.XB.W / 500.40BD.XB.G
4. 500.40BD.RW.II
5. 500.40BD.BB.RW
6. 500.40BD.PN.N / 500.40BD.PN.G
7. 500.40BD.5P.W / 500.40BD.5P.G

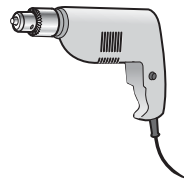
Tools Required



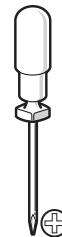
Level



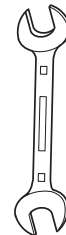
Pencil



Power Drill



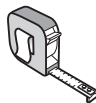
Philips
Screwdriver



5/16" Wrench



Stud Finder



Tape Measure



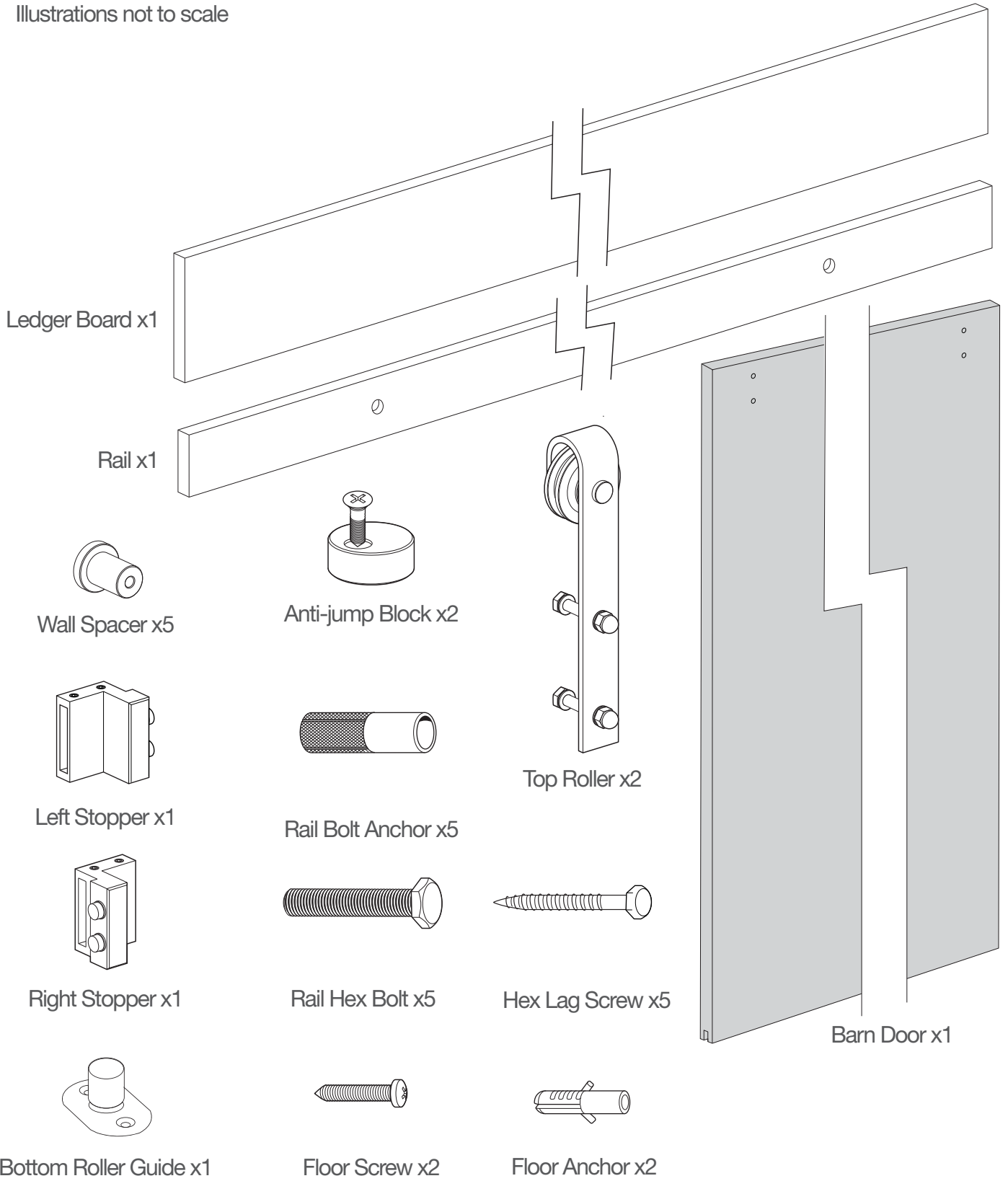
Drill Bits
 15/64"
 3/16"
 5/16"



Allen Key
 (Included)

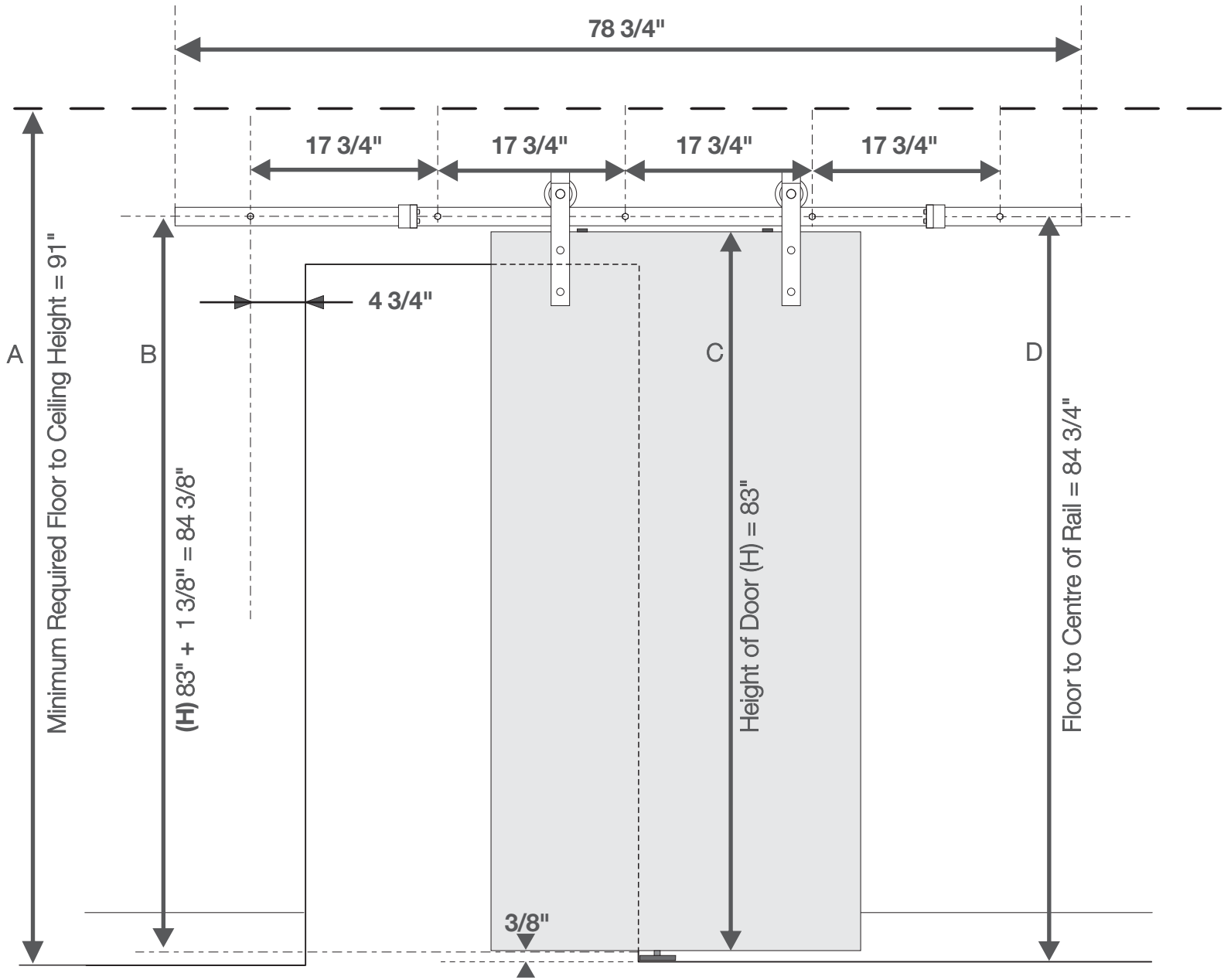
Parts List

Illustrations not to scale



Measurements

Quick Reference



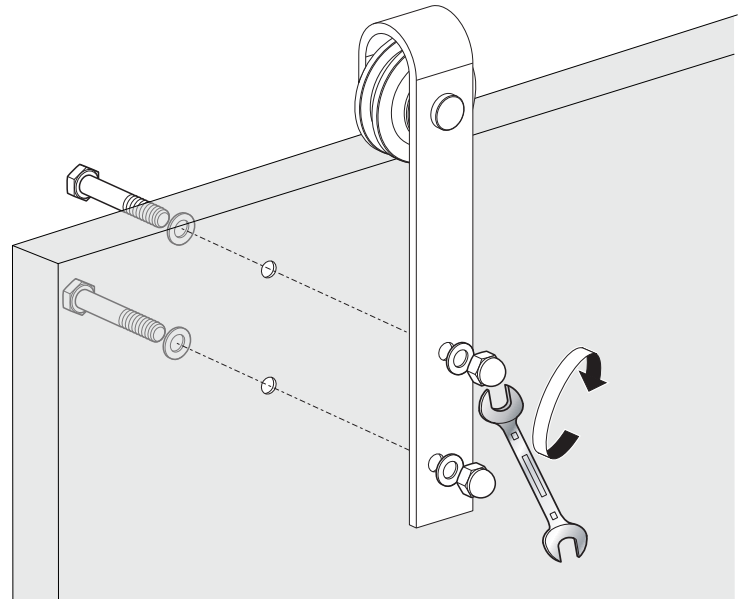
- A. Minimum floor to ceiling height required for the installation of this door is 91"
- B. Total height from the base of the door to the centre of the mounted rail
- C. Height of the door
- D. Total height from the floor to the centre of the mounted rail

Door Preperation

Remove the pre-threaded bolts from the Top Roller.

Thread the bolt through the pre-drilled holes in the Door along with the Top Roller ensuring you have washers on eitherside of the assembly.

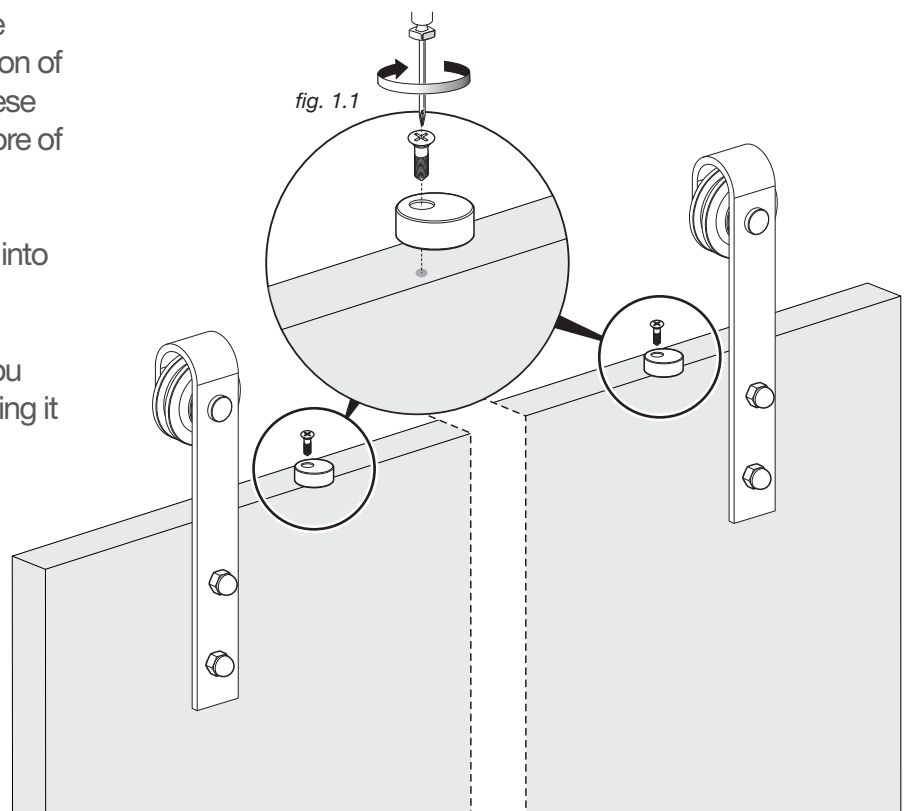
Use Wrench to tighten bolt to nut, do not over tighten.



Pre-drill two small holes on the top of the door near the Rollers to prepare installation of the Anti-jump Blocks. The position of these holes should be offset from the center core of the door. Refer to figure 1.1

Install the Anti-jump Blocks by screwing into your pre-drilled holes.

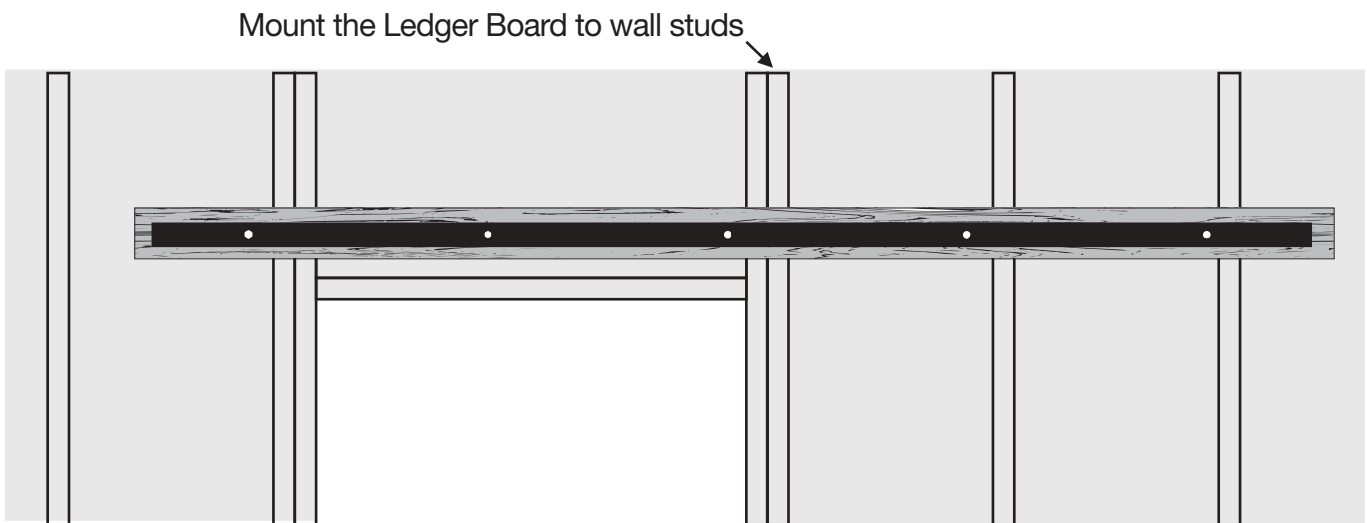
Keep these blocks swung outward as you will need them in this position while hanging it onto the rail.



Ledger Board Introduction

Mounting the Ledger Board:

A Ledger board is included in your order for your convenience and for solid installation. Without a Ledger Board, the holes in the metal track must line up with the wall studs. Otherwise the weight of your hardware and door will be too heavy and could pull out of your drywall, which could result in damage or injury.



Rail Install - DRYWALL

These instructions are for walls backed with wooden studs (steel or aluminum studs will not support the hardware track and door). If installing in a condominium, it is highly likely that your wall studs are made of aluminum. In this case you would need to consult with a licensed installer (or contractor) to have your wall re-inforced with wooden backing.

Position the Ledger Board by measuring up from the door height (H) + 1 3/8" to the centre of the Ledger. If your floor is not level, be sure to measure up from the highest point of your finished floor. Then measure across from edge of doorway opening to 4".

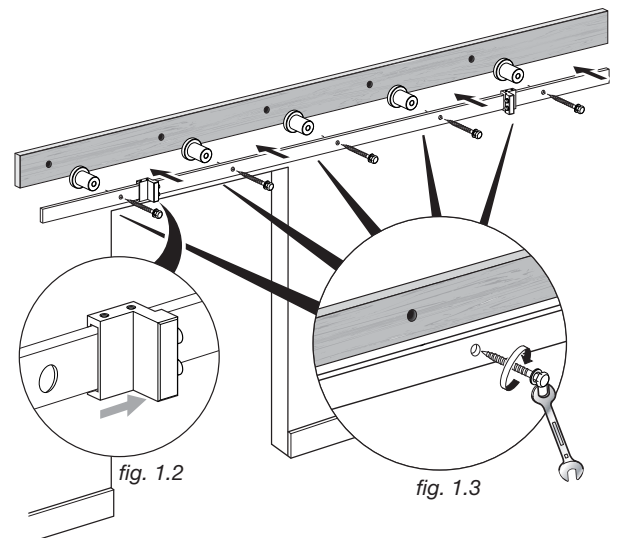
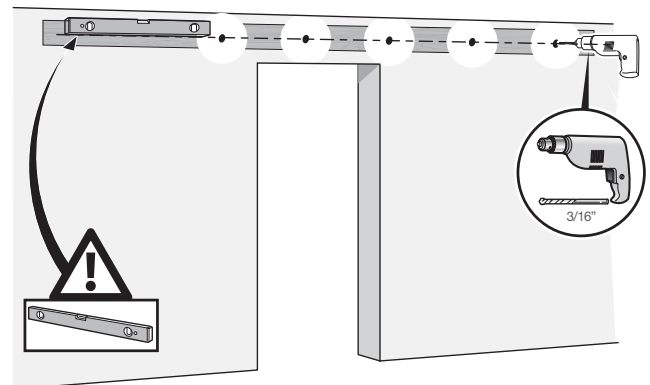
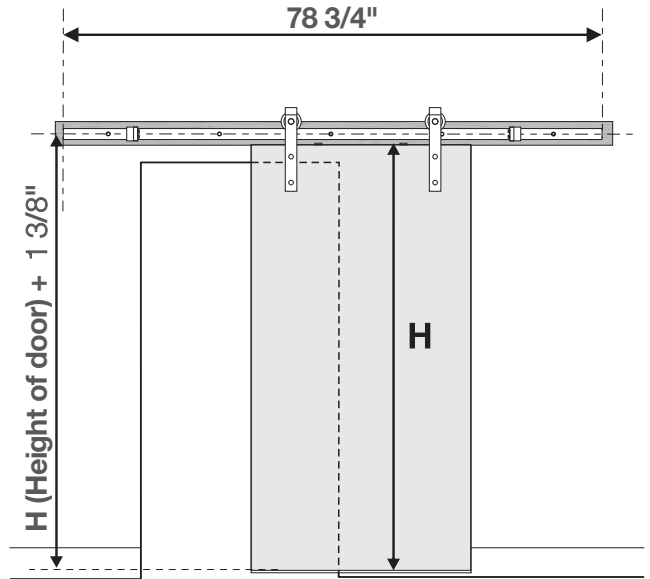
Ensure the Ledger Board is level, find the studs behind the wall and screw the Ledger Board to these stud points with appropriate hardware (not supplied). Typically 4" wood screws are used for wooden studs.

Prepare the mounting of the rail to the center of the Ledger Board by laying the rail onto the Ledger Board and mark where the bolts should go with a pencil.

Predrill pilot holes for each of the hole locations. A 3/16" drill bit is sufficient.

Slide the Left and Right Stoppers onto the rail before proceeding with mounting the rail. Ensure the adjustment bolts are facing upward. Cross only the first hole on either side of the rail. Refer to figure 1.2

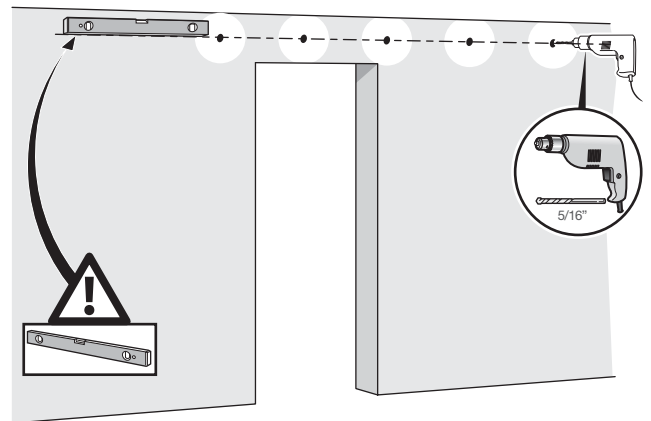
Thread the Hex Lag Screw through the rail and then a Wall Spacer and Tighten with a Wrench. Repeat this step four additional times. Refer to figure 1.3



Rail Install - CONCRETE

Prepare the mounting of the rail to the wall by marking where the bolts should go with a pencil. Refer to the Measurements page for making your measurements.

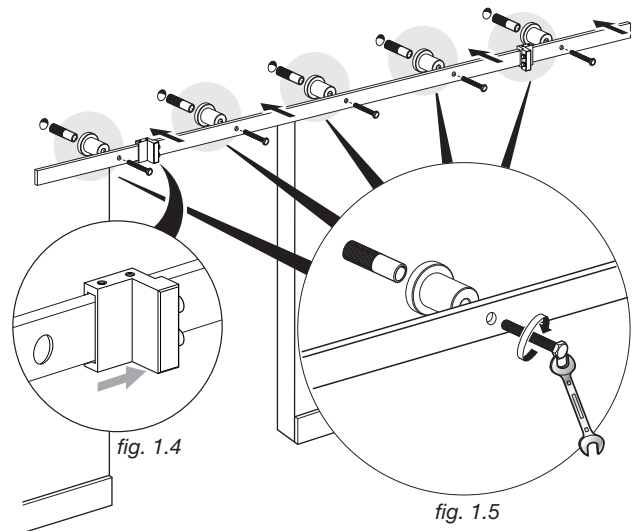
Predrill 5/16" holes for each of the markings you have made. Holes should be drilled to 1 1/2" depth



Insert the Rail Bolt Anchors into the pre-drilled holes. Sometimes a hammer is useful for this step.

Slide the Left and Right Stoppers onto the rail before proceeding with mounting the rail. Ensure the adjustment bolts are facing upward. Cross only the first hole on either side of the rail. Refer to figure 1.4

Thread the Rail Hex Bolt through the rail and then a Wall Spacer and Tighten into Anchors with a Wrench. Repeat this step four additional times. Refer to figure 1.5



Hanging the Door

Hang the door assembly onto the rail. Ensure the rail sits in the groove of the wheels.

Swing the Anti-jump Blocks to lock the door into place. refer to figure 1.6

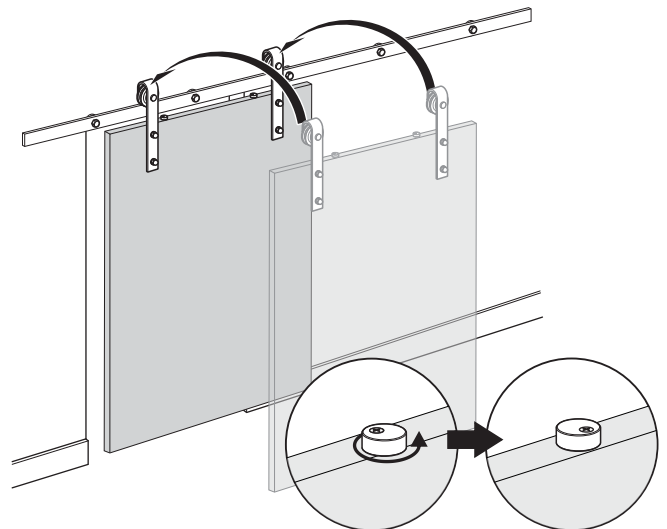


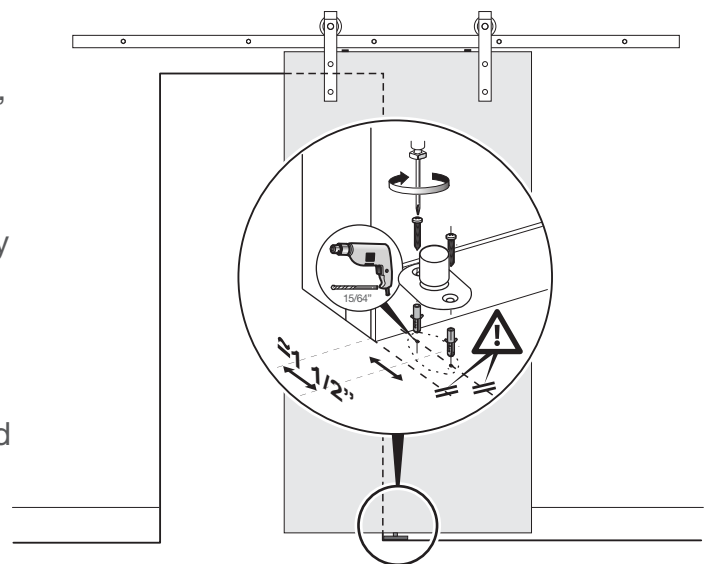
fig.1.6

Installing the Bottom Roller Guide

To find the mounting position of the Bottom Roller Guide, ensure you are installing it away from doorway opening. You will also need to determine how wide the door overlap is (minimum 1"). Note: The door overlap is the distance between the leading edge of the door when fully open, and the trailing edge of the door when fully closed. Center the wheel about 1.5" from the wall and mark the holes.

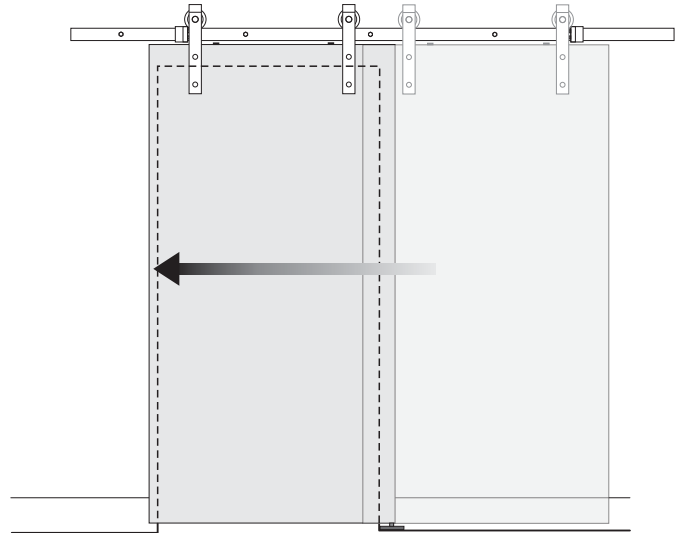
Pre-drill the holes the same size as the Floor Anchors and push the Floor Anchors in the holes.

Screw the Bottom Roller Guide to the Floor Anchors using the Floor Screws.



Adjusting the Stoppers

Slide the door into the closed position.



Slide the Stopper to the desired open and close points such that it touches the arm of the Roller.

Use the Allen Key and tighten the screws that are pre-mounted into the Stopper.

Repeat these steps for the opened position.

